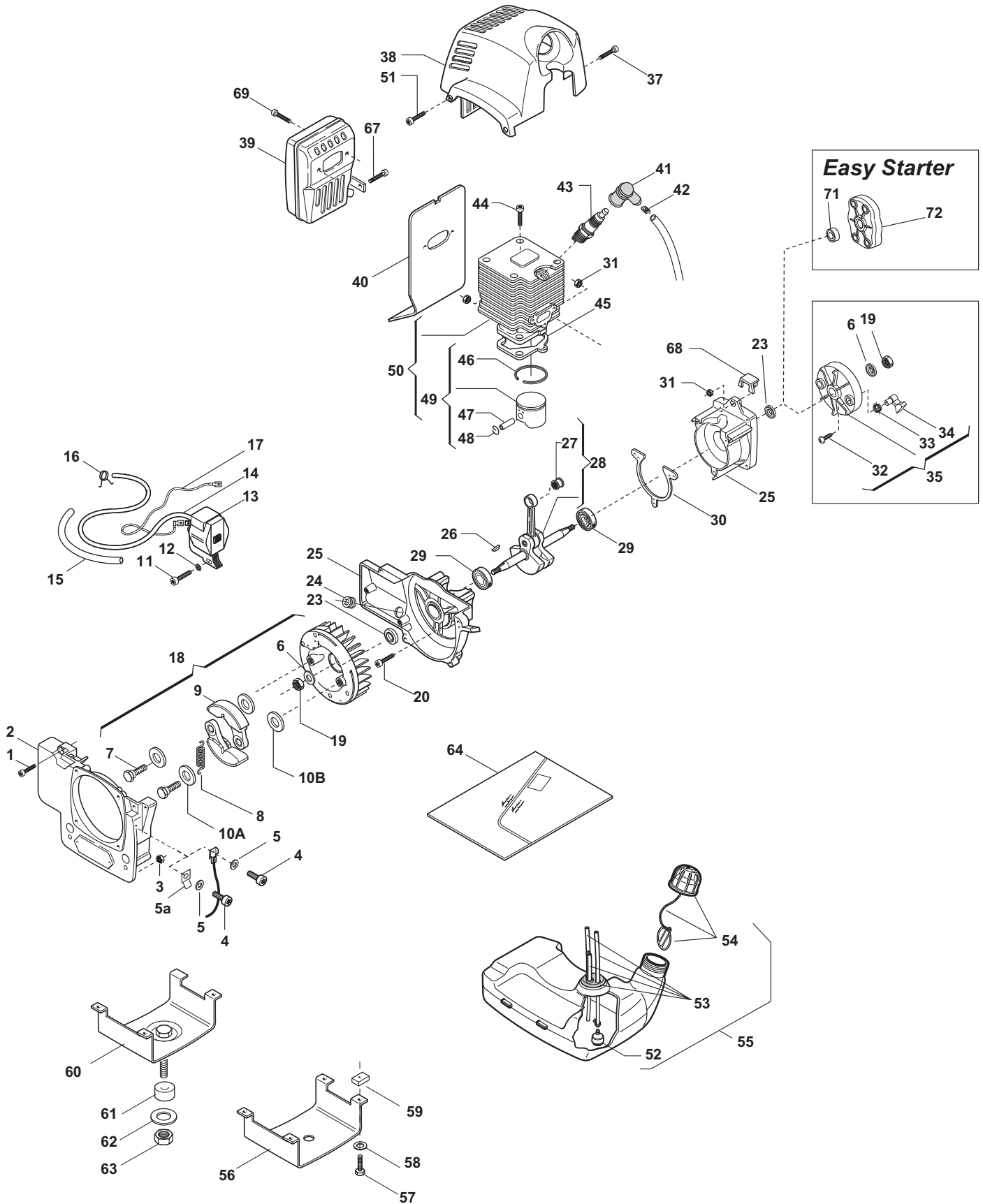
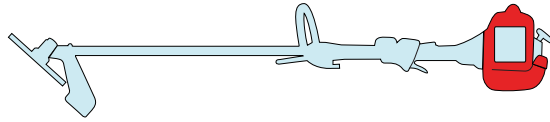




| N. | CODE | Q.TY | DESCRIZIONE | DESCRIPTION | DESCRIPTION | BESCHREIBUNG | REMARKS |
|-----|------------|------|--|---|---|---|---------|
| 1 | 23878016/0 | 4 | VITE | SCREW | VIS | SCHRAUBE | |
| 2 | 4540940 | 1 | CARTER SUPP. TRASMISSIONE | TRANSM.SUPPORT CASE | CARTER SUPP. TRANSM. | GEHÄUSE GETRIEBE-PLATTFORM | |
| 3 | 2461030 | 4 | DADO | NUT | ECROU | MUTTER | |
| 4 | 2132500 | 1 | VITE | SCREW | VIS | SCHRAUBE | |
| 5 | 2312120 | 1 | RONDELLA | WASHER | RONDELLE | UNTERLEGSCHIEBE | |
| 5a | 3211420 | 1 | FASTON (FLEX) | FASTON (FLEX) | FASTON (FLEX) | ERDUNGSSSTECKER (FLEX) | |
| 6 | 2350040 | 2 | ROSETTA | WASHER | RONDELLE | SCHIEBE | |
| 7 | 2653213 | 2 | VITE | SCREW | VIS | SCHRAUBE | |
| 8 | 3654040 | 1 | MOLLA FRIZIONE MOD. ASS.PISTONE Ø 42 | SPRING MOD.PISTON ASS.Y Ø 42 | RESSORT X MOD.ENS. PISTON Ø 42 | KUPPLUNGSFEDER X MOD. KOLBENSET Ø 42 | |
| 8 | 3654220 | 1 | MOLLA FRIZIONE MOD. ASS.PISTONE Ø 45 | SPRING MOD.PISTON ASS.Y Ø 45 | RESSORT X MOD.ENS. PISTON Ø 45 | KUPPLUNGSFEDER X MOD. KOLBENSET Ø 45 | |
| 9 | 3660430/1 | 2 | MASSA FRIZIONE MOD. ASS.PISTONE Ø 42 | CLUTCH UNIT MOD. PISTON ASS.Y Ø 42 | EMBAYAGE X MOD.ENS. PISTON Ø 42 | REIBUNGSMASSE X MOD. KOLBENSET Ø 42 | |
| 9 | 3660500/1 | 2 | MASSA FRIZIONE MOD. ASS.PISTONE Ø 45 | CLUTCH UNIT MOD. PISTON ASS.Y Ø 45 | EMBAYAGE X MOD.ENS. PISTON Ø 45 | REIBUNGSMASSE X MOD. KOLBENSET Ø 45 | |
| 10a | 23652501/0 | 2 | ROSETTA | WASHER | RONDELLE | SCHIEBE | |
| 10b | 2321230 | 2 | ROSETTA | WASHER | RONDELLE | SCHIEBE | |
| 11 | 2135060 | 2 | VITE | SCREW | VIS | SCHRAUBE | |
| 12 | 2321150 | 2 | ROSETTA | WASHER | RONDELLE | SCHIEBE | |
| 13 | 23044001/0 | 1 | BOBINA ELETTRONICA | ELECTRONIC COIL | BOBINE ÉLECTRONIQUE | ELEKTRONIKSPULE | |
| 14 | 3211080 | 1 | FILO BOBINA | SPARK PLUG CABLE | FIL BOBINE | DRAHT ZÜNDKERZE | |
| 15 | 3782040 | 1 | GUAINA CAVO CANDELA | WIRE JAKET | GAINÉ CÂBLE | KABELMANTEL GASHEBEL | |
| 16 | 3657450 | 1 | FASCETTA CAVO CANDELA | CLAMP | COLLIER | ZÜNDKERZENKABEL | |
| 17 | 3211415 | 1 | CAVO MASSA | EARTH CABLE | CÂBLE MASSE | ERDUNGSKABEL | |
| 18 | 8252500/1 | 1 | ASS.VOLANO-MASSE MOD. PIST. Ø 42 (INCL.7-10) | FLYWHEEL ASS.Y X MOD. PISTON Ø 42 (INCL.7-10) | ENS.VOLANT X MOD.ENS. PISTON Ø 42 (INCL.7-10) | SET SCHWUNGRAD MAGNET X MOD. KOLBENSET Ø 42 (INCL.7-10) | |
| 18 | 8252510/1 | 1 | ASS.VOLANO-MASSE MOD. PIST. Ø 45 (INCL.7-10) | FLYWHEEL ASS.Y X MOD. PISTON Ø 45 (INCL.7-10) | ENS.VOLANT X MOD.ENS. PISTON Ø 45 (INCL.7-10) | SET SCHWUNGRAD MAGNET X MOD. KOLBENSET Ø 45 (INCL.7-10) | |
| 19 | 2412100 | 2 | DADO | NUT | ECROU | MUTTER | |
| 20 | 2135130 | 4 | VITE | SCREW | VIS | SCHRAUBE | |
| 23 | 3121120 | 2 | ANELLO DI TENUTA | SEAL RING | ANNEAU DE TENUE | DICHTRING | |
| 24 | 3745130 | 1 | GOMMINO PASSACAVO | GROMMET | RONDELLE CAOUT-CHOU | LIPPKLAMPE | |
| 25 | 8540930 | 1 | COPPIA CARTER MOTORE | CRANKASE ASS.Y | ENS. CARTER MOTEUR | PAAR MOTORABDECKUNG | |
| 26 | 3151050 | 1 | LINGUETTA VOLANO | FLYWHEEL KEY | CLAVETTE VOLANT | LASCHE SCHWUNGRAD | |
| 27 | 3114190 | 1 | GABBIA A RULLI | NEEDLE BEARING | ROUL. À AIGUILLES | WALZENKÄFIG | |
| 28 | 8251440 | 1 | ASS.ALBERO MOTORE (INCL.27) | CRANCKSHAFT ASS.Y (INCL.27) | ENS.ARBRE MOTEUR (INCL.27) | SET MOTORWELLE (INCL.27) | |
| 29 | 3112040 | 2 | CUSCINETTO | BEARING | ROUL. À BILLES | KUGELLAGER | |
| 30 | 3724120 | 1 | GUARNIZIONE CARTERS | GASKET | JOINT | DICHTUNG ABDECKUNG | |
| 31 | 2432040 | 5 | DADO | NUT | ECROU | MUTTER | |
| 32 | 2123100 | 2 | VITE | SCREW | VIS | SCHRAUBE | |
| 33 | 3654050 | 2 | MOLLA AGGANCIAMENTO | SPRING | RESSORT | FEDER SPERRUNG | |
| 34 | 3749570 | 2 | AGGANCIAMENTO AVVIAMENTO | STARTER HOOK | FIXATION DÉMARREUR | SPERRE STARTER | |
| 35 | 8540950 | 1 | ASS.COPPA AVVIAMENTO (INCL.32-34) | STARTER CUP ASS.Y (INCL.32-34) | ENS.COUPÉ DÉMARREUR (INCL.32-34) | SCHWUNGRAD MAGNET (INCL.32-34) | |
| 37 | 2135030 | 3 | VITE | SCREW | VIS | SCHRAUBE | |
| 38 | 4563880 | 1 | CUFFIA COPRICILINDRO GIALLA | YELLOW CYLINDER COVER | COUVERCLE CYLINDRE JAUNE | MOTORABDECKUNG GELB | |
| 38 | 4563883 | 1 | CUFFIA COPRICILINDRO ROSSO | RED CYLINDER COVER | COUVERCLE CYLINDRE ROUGE | MOTORABDECKUNG ROT | |
| 39 | 4122170/1 | 1 | SILENZIATORE | MUFFLER | SILENCIEUX | SCHALLDÄMPFER | |
| 40 | 3724380 | 1 | GUARNIZIONE SILENZIATORE | GASKET | JOINT SILENCIEUX | DICHTUNG SCHALLDÄMPFER | |
| 41 | 3744850 | 1 | CAPPUCCIO CANDELA | SPARK PLUG COVER | CAPUCHON BOUGIE | ZÜNDKERZENKAPPE | |
| 42 | 3657530 | 1 | TERMINALE FILO CANDELA | SPARK PLUG SPRING | BORNE FIL BOUGIE | DRAHTENDE ZÜNDKERZE | |
| 43 | 3210024 | 1 | CANDELA | SPARK PLUG | BOUGIE | ZÜNDKERZE | |
| 44 | 2135060 | 4 | VITE | SCREW | VIS | SCHRAUBE | |
| 45 | 3724130 | 1 | GUARNIZIONE CILINDRO | CYLINDER GASKET | JOINT CYLINDRE | ZYLINDERDICHTUNG | |
| 46 | 3123200 | 1 | FASCIA ELASTICA Ø 42 | PISTON RING Ø 42 | COLLIER ÉLASTIQUE Ø 42 | KOLBENRING Ø 42 | Star 45 |
| 46 | 3123110 | 1 | FASCIA ELASTICA Ø 45 | PISTON RING Ø 45 | COLLIER ÉLASTIQUE Ø 45 | KOLBENRING Ø 45 | Star 55 |
| 47 | 3158010 | 1 | SPINOTTO PISTONE Ø 42 | PISTON PIN Ø 42 | POINTEAU PISTONX ENS. PISTON Ø 42 | KOLBENBOLZEN X MOD. KOLBENSET Ø 42 | Star 45 |
| 47 | 3158080 | 1 | SPINOTTO PISTONE Ø 45 | PISTON PIN Ø 45 | POINTEAU PISTONX ENS. PISTON Ø 45 | KOLBENBOLZEN X MOD. KOLBENSET Ø 45 | Star 55 |
| 48 | 3356020 | 2 | FERMO SPINOTTO | CIRCLIP | CIRCLIP | SPERRE BOLZEN | |
| 49 | 8540860 | 1 | ASS.PISTONE Ø 42 (INCL.46-48) | PISTON ASS.Y Ø 42 (INCL.46-48) | ENS.PISTON Ø 42 (INCL.46-48) | KOLBENSET Ø 42 (INCL.46-48) | Star 45 |
| 49 | 8540960 | 1 | ASS.PISTONE Ø 45 (INCL.46-48) | PISTON ASS.Y Ø 45 (INCL.46-48) | ENS.PISTON Ø 45 (INCL.46-48) | KOLBENSET Ø 45 (INCL.46-48) | Star 55 |
| 50 | 8540890 | 1 | ASS.CIL-PIST Ø 42 (INCL.49) | CYL-PIST Ø 42 (INCL.49) | CYL.-PIST. Ø 42 (INCL.49) | SET KOLBEN-ZYL. Ø 42 (INCL.49) | Star 45 |
| 50 | 8540970/2 | 1 | ASS.CIL-PIST Ø 45 (INCL.49) | CYL-PIST Ø 45 (INCL.49) | CYL.-PIST. Ø 45 (INCL.49) | SET KOLBEN-ZYL. Ø 45 (INCL.49) | Star 55 |
| 51 | 2135040 | 2 | VITE | SCREW | VIS | SCHRAUBE | |





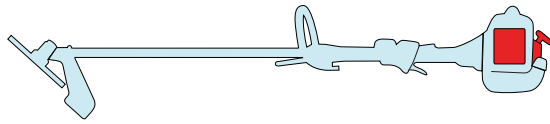


| N. | CODE | Q.TY | DESCRIZIONE | DESCRIPTION | DESCRIPTION | BESCHREIBUNG | REMARKS |
|----|------------|------|------------------------------------|------------------------------|-------------------------------------|--------------------------------|--------------|
| 52 | 4253290 | 1 | PESCANTE MISCELA | INTAKE FILTER | FILTRE D'ASPIRATION | TAUCHSONDE | |
| 53 | 8745542 | 1 | ASS.GOMMINO PASSA-TUBI | GROMMET ASS.Y | ENS.RONDELLE CAOUT-CHOUC | SET GUMMIRINGE | |
| 54 | 8741370 | 1 | ASS.TAPPO MISCELA | FUEL CAP ASS.Y | ENS.BOUCHON MÉLANGE | DECKEL TREIBSTOFF-TANK | |
| 55 | 4252620/1 | 1 | ASS.SERBATOIO MIX (INCL.52-54) | FUEL TANK ASS.Y (INCL.52-54) | ENS.RÉSERVOIR MÉ-LANGE (INCL.52-54) | TREIBSTOFFTANK (INCL.52-54) | |
| 56 | 4612237 | 1 | FLANGIA SUPPORTO MOTORE | FLANGE | BRIDE MOTEUR | FLANSCH | |
| 57 | 2135030 | 4 | VITE | SCREW | VIS | SCHRAUBE | |
| 57 | 2135040 | 4 | VITE | SCREW | VIS | SCHRAUBE | |
| 58 | 2321150 | 4 | RONDELLA | WASHER | RONDELLE | UNTERLEGSCHIBE | |
| 59 | 2461030 | 4 | DADO | NUT | ECROU | MUTTER | |
| 60 | 4121957 | 1 | FLANGIA SUPP.MOTORE (FLEX) | FLANGE (FLEX) | BRIDE MOTEUR (FLEX) | FLANSCH (FLEX) | |
| 61 | 2382230 | 1 | DISTANZIALE (FLEX) | SPACER (FLEX) | ENTRETOISE (FLEX) | THERMOISOLIERUNG (FLEX) | |
| 62 | 2330060 | 1 | ROSETTA | WASHER | RONDELLE | SCHEIBE | |
| 63 | 2412180 | 1 | DADO (FLEX) | NUT (FLEX) | ECROU (FLEX) | MUTTERSCHRAUBE (FLEX) | |
| 64 | 8724380/1 | 1 | SERIE GUARNIZIONI (INCL. 30-40-45) | GASKET SET (INCL. 30-40-45) | SÉRIE JOINTS (INCL. 30-40-45) | SET DICHTUNGEN (INCL.30-40-45) | |
| 67 | 2135180 | 1 | VITE | SCREW | VIS | SCHRAUBE | |
| 68 | 3750537 | 1 | DISTANZIALE CUFFIA | YELLOW SPACER | ENTRETOISE JAUNE | DISTANZSTÜCK GELB | |
| 69 | 2135040 | 6 | VITE | SCREW | VIS | SCHRAUBE | |
| 71 | 23160051/0 | 1 | DISTANZIALE | SPACER | ENTRETOISE | ENTFERNUNGSSTÜCK | EASY STARTER |
| 72 | 83082000/0 | 1 | COPPA AVVIAMENTO | STARTER CUP | COUPE DÉMARREUR | STARTERGEHÄUSE | EASY STARTER |



STAR

55P

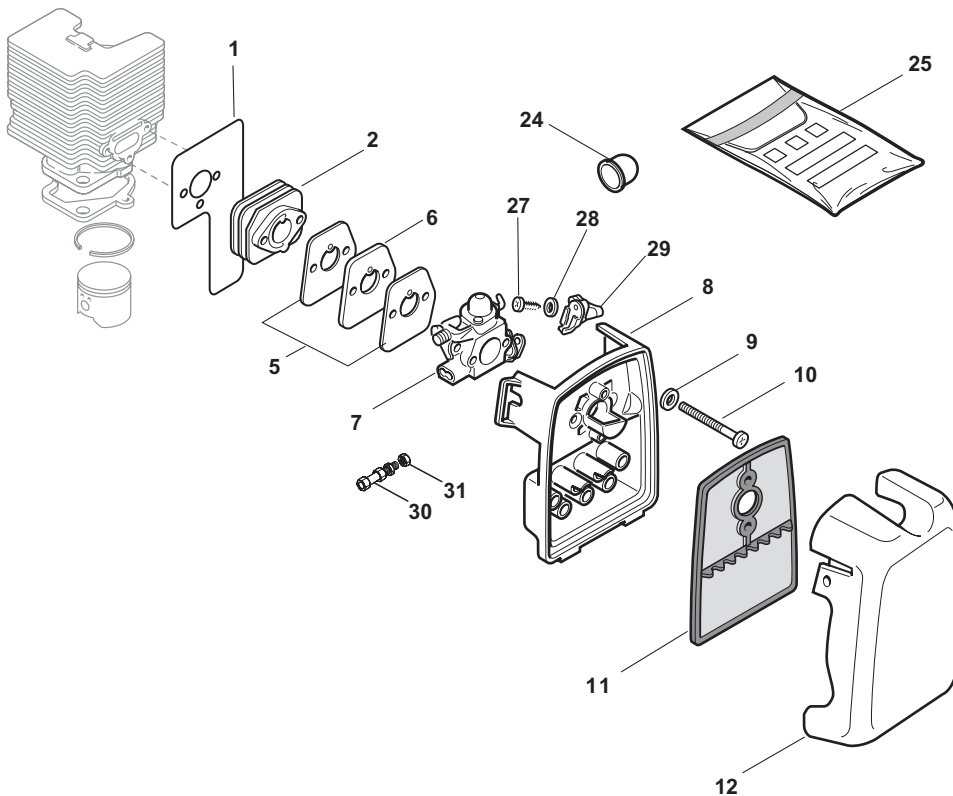
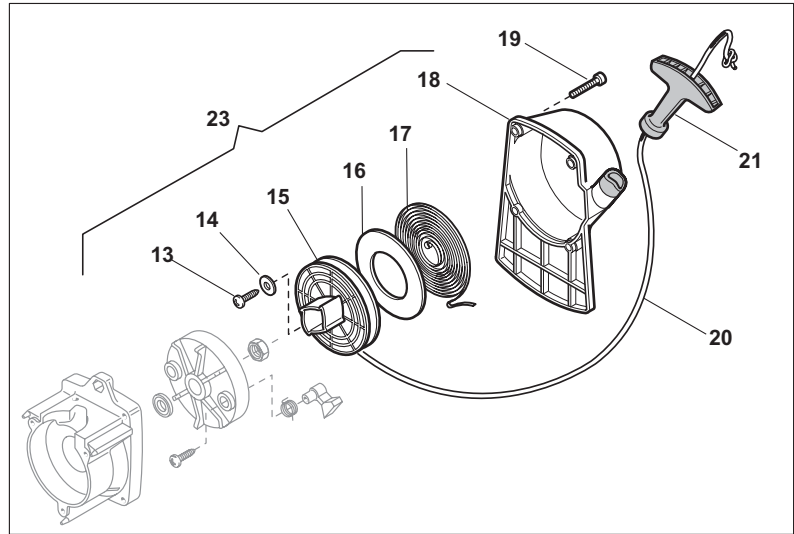
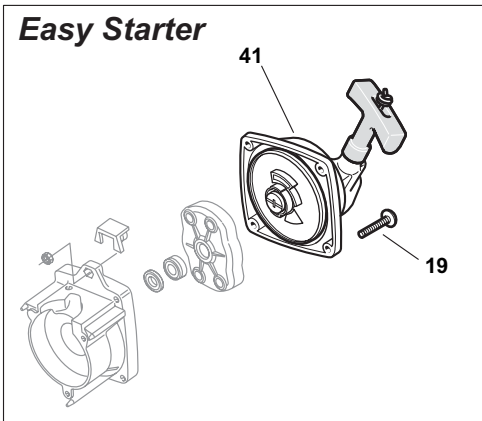


2007

262.0

1 / 2

Easy Starter



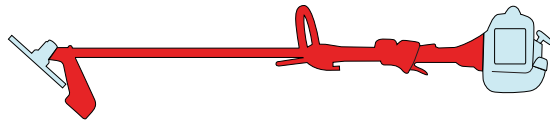


| N. | CODE | Q.TY | DESCRIZIONE | DESCRIPTION | DESCRIPTION | BESCHREIBUNG | REMARKS |
|----|------------|------|-----------------------------|----------------------------|-----------------------------|-----------------------------|----------------|
| 1 | 3724390/2 | 1 | GUARNIZ.COLLETT-CI-LINDRO | INTAKE-MANIF.GASKET | JOINT COLLECT.-CYLINDRE | DICHT. KOLLEKT.-ZYLINDER | |
| 2 | 3749740/1 | 1 | COLLETTORE ASPIRAZIONE | INTAKE MANIFOLD | COLLECTEUR ASPIRATION | KOLLEKTOR ANSAUGUNG | |
| 5 | 3724160 | 2 | GUARNIZ.CARBURAT.-COLLETT. | GASKET | JOINT | DICHT. VERG.-KOLLEKT. | |
| 6 | 3785050/1 | 1 | DISTANZIALE TERMICO | HEAT BLOCK | BLOCAGE THERMIQUE | THERMOISOLIERUNG | |
| 7 | 23054014/1 | 1 | CARBURATORE | CARBURETTOR | CARBURATEUR | VERGASER | Walbro WT 761A |
| 8 | 23781004/0 | 1 | SUPPORTO FILTRO ARIA GRIGIO | AIR FILTER HOLDER | SUPP. FILTRE À AIR | HALTER LUFTFILTER | |
| 9 | 2312090 | 2 | ROSETTA | WASHER | RONDELLE | SCHEIBE | |
| 10 | 2135230 | 2 | VITE | SCREW | VIS | SCHRAUBE | |
| 11 | 3781640 | 1 | FILTRO ARIA | AIR FILTER | FILTRE À AIR | LUFTFILTER | |
| 12 | 23090008/0 | 1 | COPRIFILTRO ARIA GIALLO | YELLOW FILTER COVER | COUVRE-FILTRE À AIR JAUNE | FILTERABD. GELB | |
| 12 | 23090009/0 | 1 | COPRIFILTRO ARIA ROSSO | RED FILTER COVER | COUVRE-FILTRE À AIR ROUGE | FILTERABD. ROT | |
| 13 | 2123100 | 1 | VITE | SCREW | VIS | SCHRAUBE | |
| 14 | 3613420 | 1 | ROSETTA | WASHER | RONDELLE | SCHEIBE | |
| 15 | 4562440 | 1 | PULEGGIA AVVIAMENTO | STARTER PULLEY | POULIE DÉMARRAGE | RIEMENSCHIBE STARTER | |
| 16 | 3724200 | 1 | DISCO PER MOLLA AVV. TO | DISC | DISQUE | SCHEIBE F. FEDER | |
| 17 | 4611480 | 1 | MOLLA AVVIAMENTO | SPRING | RESSORT | FEDER STARTER | |
| 18 | 8563890/1 | 1 | CARTER AVVIAMENTO | STARTER RECOIL CASE | CARTER DÉMARREUR | STARTERGEHÄUSE | |
| 19 | 2135040 | 4 | VITE | SCREW | VIS | SCHRAUBE | |
| 20 | 3784010 | 1 | FUNE AVVIAMENTO | STARTER CORD | CÂBLE DÉMARRAGE | SEIL STARTER | |
| 21 | 3750067 | 1 | IMPUGNATURA AVVIAMENTO | STARTER HANDLE | POIGNÉE DÉMARRAGE | GRIFF STARTER | |
| 23 | 4252700/1 | 1 | ASS.AVVIATORE (INCL.13-21) | STARTER ASS.Y (INCL.13-21) | ENS. DÉMARREUR (INCL.13-21) | STARTEREINHEIT (INKL.13-21) | |
| 24 | 3744870 | 1 | PRIMER | PRIMER | PRIMER | PRIMER | |
| 25 | 4353150 | 1 | KIT MEMB-GUARNIZ | GASKET-DIAPH. SET | KIT MEMBR.-JOINT | SET MEMB.-DICHT. | |
| 29 | 6981137 | 1 | LEVA ARIA | CHOKE LEVER | LEVIER AIR | CHOKERHEBEL | |
| 27 | 2123090 | 1 | VITE | SCREW | VIS | SCHRAUBE | |
| 29 | 2312180 | 1 | ROSETTA | WASHER | RONDELLE | SCHEIBE | |
| 30 | 3630600/1 | 1 | REGISTRO CAVO ACCLE-RATORE | THROTTLE CABLE ADJUSTER | REGISTRE | REGLER | |
| 31 | 2412090 | 1 | DADO | NUT | ECROU | MUTTER | |
| 41 | 83037000/0 | 1 | ASS.AVVIATORE | STARTER ASS.Y | ENS. DÉMARREUR | STARTEREINHEIT | EASY STARTER |



STAR

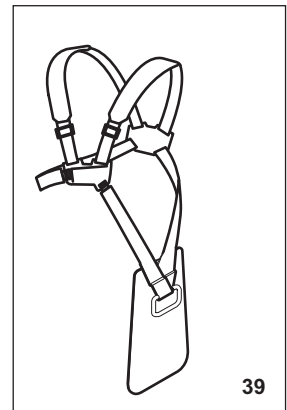
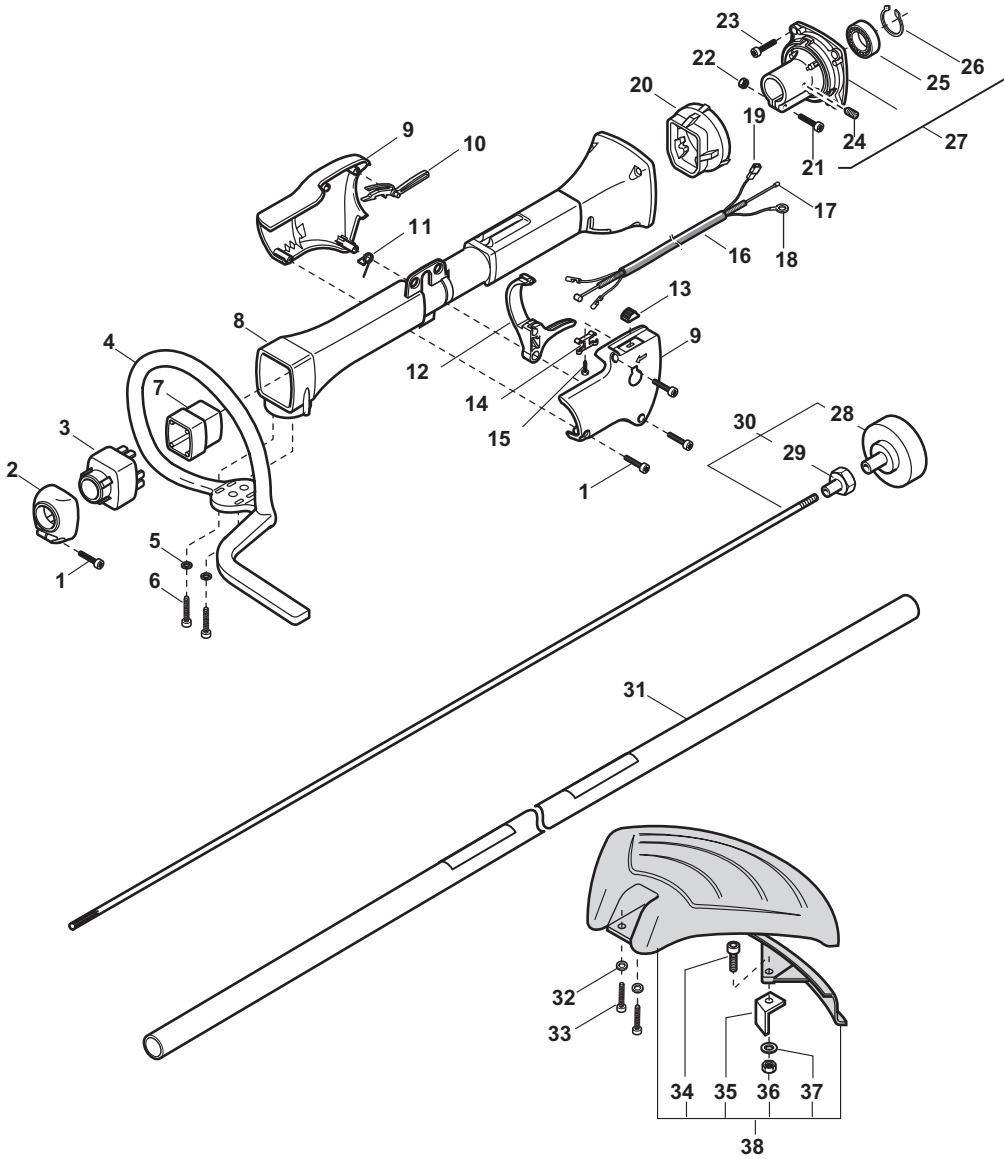
55P



2007

263.0

1 / 2



39



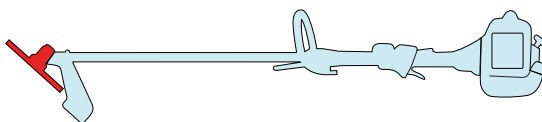


| N. | CODE | Q.TY | DESCRIZIONE | DESCRIPTION | DESCRIPTION | BESCHREIBUNG | REMARKS |
|----|------------|------|--|---------------------------------------|--|----------------------------------|---------|
| 1 | 2123030 | 4 | VITE | SCREW | VIS | SCHRAUBE | |
| 2 | 3750330 | 1 | SUPPORTO ANTERIORE CARENATURA | FRONT HOUSING SUP- PORT | SUPPORT AVANT CARTER | HALTER VORDERGE- HÄUSE | |
| 3 | 3744290 | 1 | GOMMINO ANTIVIBRAN- TE ANTERIORE | FRONT SHOCK AB- SORBER | CAOUTCHOUC ANTI-VI- BRAT. AVANT | SCHWINGUNGSDÄMPFER | |
| 4 | 4563560 | 1 | IMPUGNATURA ANTE- RIORE | FRONT HANDLE | POIGNÉE AVANT | HANDGRIFF VORNE | |
| 5 | 2312150 | 2 | RONDELLA | WASHER | RONDELLE | UNTERLEGSCHIEBE | |
| 6 | 2123140 | 2 | VITE | SCREW | VIS | SCHRAUBE | |
| 7 | 3750340 | 1 | GHIERA RIDUZIONE ANTERIORE | FRONT STEP-DOWN SPACER | BAGUE RÉDUCTION AVANT | VORDERER REDUZIER- RING | |
| 8 | 4563531 | 1 | CARENATURA | TRANSMISSION HOUS- ING | CARTER TRANSMISSION | GEHÄUSE | |
| 9 | 8563540 | 1 | COPPIA GUSCI IMPUGNA- TURE | HANDGRIP HOUSING COUPLE | PAIRE PROTECT. POI- GNÉES | PAAR HANDGRIFFHÜL- SEN | |
| 10 | 3743630 | 1 | LEVA SICUREZZA | SAFETY LEVER | LEVIER DE SÉCURITÉ | SICHERHEITSHEBEL | |
| 11 | 3654490 | 1 | MOLLA LEVA ACCELERA- TORE | SPRING | RESSORT | FEDER GASHEBEL | |
| 12 | 3743620 | 1 | LEVA ACCELERATORE | THROTTLE LEVER | LEVIER ACCÉLÉRATEUR | GASHEBEL | |
| 13 | 3749270 | 1 | POMELLO DI STOP | STOP KNOB | BOUTON D'ARRÊT | STOP-SCHALTER | |
| 14 | 3612710 | 1 | LAMIERINO DI STOP | STOP PLATE | PLAQUE D'ARRÊT | STOP-PLÄTTCHEN | |
| 15 | 2123070 | 1 | VITE | SCREW | VIS | SCHRAUBE | |
| 16 | 3786200/1 | 1 | GUAINA PROTEZIONE CAVI | WIRE SHEATH | GAINÉ CÂBLES | KABELMANTEL | |
| 17 | 23066007/0 | 1 | CAVO ACCELERATORE | WIRE ASS.Y | CÂBLE ACCÉLÉR. | STARTERKABEL | |
| 18 | 3211120 | 1 | CAVO MASSA (NERO) | EARTH CABLE (BLACK) | CÂBLE MASSE (NOIR) | ERDUNGSKABEL (SCHWARZ) | |
| 19 | 3211490 | 1 | CAVO BOBINA-INTER- RUTTORE (ROSSO) | COIL-SWITCH CABLE (RED) | CÂBLE BOBINE-INTER. (ROUGE) | SPULENDRAHT-SCHAL- TER (ROT) | |
| 20 | 3744300 | 1 | GOMMINO ANTIVIBRAN- TE POSTERIORE | REAR SHOCK ABSORB- ER | CAOUTCHOUC ANTI-VI- BRAT. ARRIÈRE | SCHWINGUNGSDÄMPFER | |
| 21 | 2135150 | 1 | VITE | SCREW | VIS | SCHRAUBE | |
| 22 | 2432030 | 1 | DADO | NUT | ECROU | MUTTER | |
| 23 | 2135160 | 4 | VITE | SCREW | VIS | SCHRAUBE | |
| 24 | 2126050 | 1 | VITE | SCREW | VIS | SCHRAUBE | |
| 25 | 3112170 | 1 | CUSCINETTO | BEARING | ROUL. À BILLES | KUGELLAGER | |
| 26 | 3353080 | 1 | ANELLO SEEGER | RING | CIRCLIP | RING | |
| 27 | 8520990/2 | 1 | ASS. MOZZO TRASM. Ø26 (INCL. 24-26) | TRANSM. HUB ASS.Y Ø26 (INCL.24-26) | ENS.MOYEU TRANSM. Ø26 (INCL. 24-26) | ANTRIEBSNABE Ø26 (INKL.24-26) | |
| 28 | 4121861/1 | 1 | CAMPANA FRIZIONE | CLUTCH DRUM | CLOCHE EMBRAYAGE | KUPPLUNGSGLOCKE | |
| 29 | 3642191 | 1 | MOZZO CUSCINETTO | BEARING HUB | MOYEU ROULEMENT | LAGERNABE | |
| 30 | 4251400 | 1 | ALBERO TRASMISSIONE (INCL.28-29) | TRANSMISSION SHAFT (INCL.28-29) | ARBRE TRANSMISSION (INCL.28-29) | MOTORWELLE (INCL.28- 29) | |
| 31 | 4251204 | 1 | ASS. TUBO TRASMISSIO- NE Ø26 | TRANSMISSION PIPE ASS.Y | ENS.TUBE TRANSM. | SET ROHR PULSE | |
| 32 | 2312150 | 2 | RONDELLA | WASHER | RONDELLE | UNTERLEGSCHIEBE | |
| 33 | 2135060 | 2 | VITE | SCREW | VIS | SCHRAUBE | |
| 34 | 2135030 | 1 | VITE | SCREW | VIS | SCHRAUBE | |
| 35 | 3615000 | 1 | LAMIERINO TAGLIAFILO | LINE CUTTER | COUPE-FIL | DRAHTSCHERENBLECH | |
| 36 | 2432040 | 1 | DADO | NUT | ECROU | MUTTER | |
| 37 | 2312150 | 1 | RONDELLA | WASHER | RONDELLE | UNTERLEGSCHIEBE | |
| 38 | 8563570 | 1 | ASS. PARASPRUZZI (INCL. 34-37) | SAFETY COVER ASS.Y (INCL.34-37) | ENS. CAPOT ANTI-PRO- JECTIONS (INCL. 34-37) | SET SPRITZSCHUTZ (INKL.34-37) | |
| 39 | 4253460 | 1 | BRETELLA (MOD. 36-41) | HARNESS (MOD.36-41) | HARNAIS (MOD. 36-41) | GURTZEUG (MOD. 36-41) | |
| 39 | 4253440 | 1 | BRETELLA (MOD. 45-55) | HARNESS (MOD.45-55) | HARNAIS (MOD. 45-55) | GURTZEUG (MOD. 45-55) | |



STAR

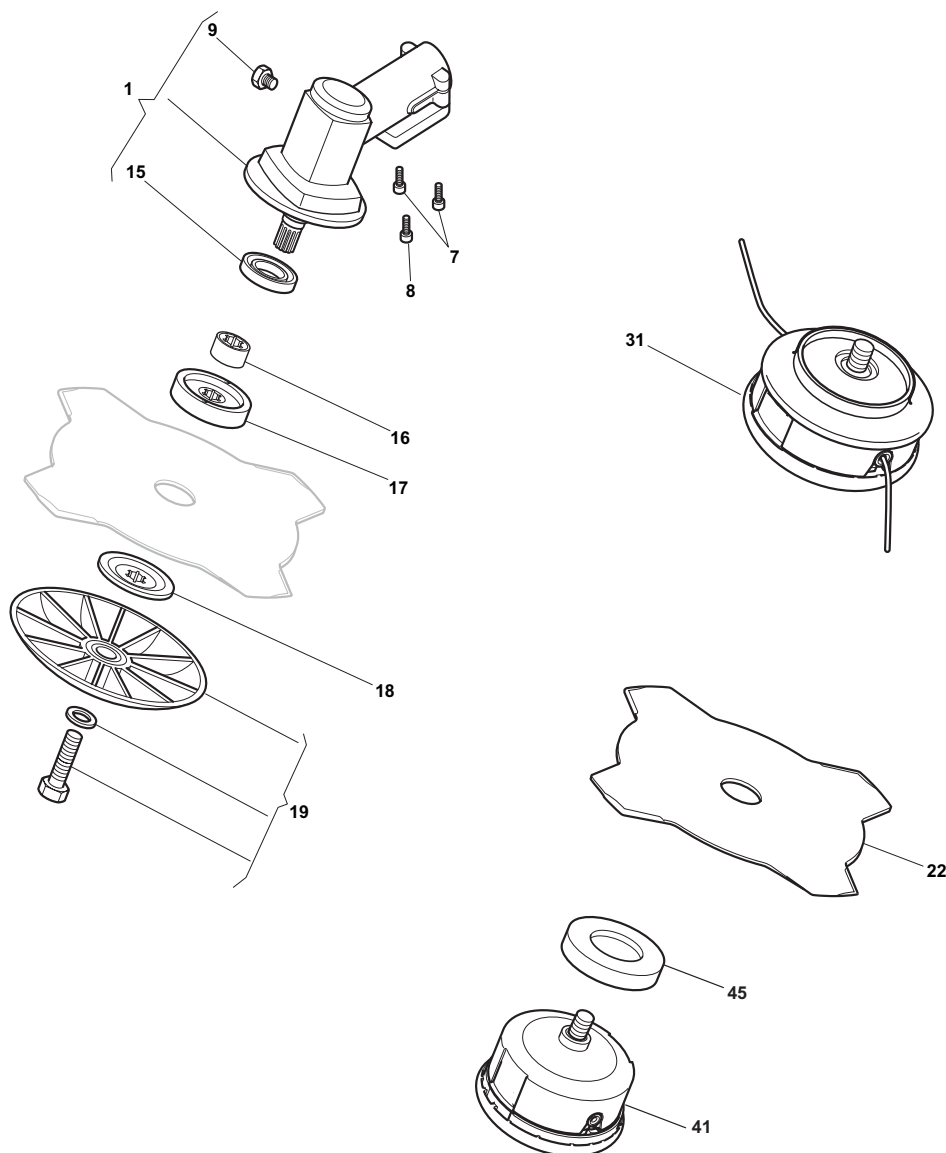
55P



2007

265.0

1 / 1



| N. | CODE | Q.TY | DESCRIZIONE | DESCRIPTION | DESCRIPTION | BESCHREIBUNG | REMARKS |
|----|-----------|------|------------------------------|----------------------------|----------------------------|---------------------------|---------|
| 1 | 4252780/1 | 1 | ASS.TESTINA INGRANAGGI Ø26MM | GEAR CASE ASSY Ø26MM | ENS. BOÎTE ENGREN. Ø26MM | SET ZAHNRADGETRIEBE Ø26MM | |
| 7 | 2135050 | 2 | VITE | SCREW | VIS | SCHRAUBE | |
| 8 | 2653090 | 1 | VITE | SCREW | VIS | SCHRAUBE | |
| 9 | 2653460 | 1 | VITE | SCREW | VIS | SCHRAUBE | |
| 15 | 3121170 | 1 | ANELLO DI TENUTA | SEAL RING | ANNEAU DE TENUE | DICHTRING | |
| 16 | 3641700/1 | 1 | COLLARE | COLLAR | COLLIER | STELLRING | |
| 17 | 3641640 | 1 | GHIERA SUPERIORE | UPPER RING NUT | BAGUE SUPÉRIEURE | OBERER RINGBOLZEN | |
| 18 | 3612640 | 1 | GHIERA INFERIORE | LOWER RING NUT | BAGUE INFÉRIEURE | UNTERER RINGBOLZEN | |
| 19 | 4560610 | 1 | COPPA FISSA | STABILIZER | STABILISATEUR | STABILISATOR | |
| 20 | 2321230 | 1 | ROSETTA | WASHER | RONDELLE | SCHEIBE | |
| 21 | 2653170 | 1 | VITE | SCREW | VIS | SCHRAUBE | |
| 22 | 4611880 | 1 | DISCO 4 PUNTE 25 CM | 4 TEETH DISC 25 CM | LAME À 4 DENTS 25 CM | SCHEIBE / 4 ZÄHNE 25 CM | |
| 31 | 4353240/1 | 1 | TESTINA 2 FILI TAP & GO | 2 HEDGES NYLON HEAD | TÊTE À 2 FILS NYLON | 2 DRAHTSCHEIBE | |
| 41 | 4353000 | 1 | TESTINA TAP & GO PROFIL | 2 HEDGES NYLON HEAD PROFIL | TÊTE À 2 FILS NYLON PROFIL | 2 DRAHTSCHEIBE PROFIL | |
| 44 | 4563990 | 1 | COPERCHIO INFERIORE | BOTTOM COVER | COUVERCLE INFÉRIEUR | UNTERER DECKEL | |
| 45 | 3614950 | 1 | PIATTELLO | PLATE | TOURNETTE | TELLER | |

